



omega
CLIMATE SYSTEMS

OMEGA WIND TURBINE ROOF VENTILATOR

Model: OWT300

www.omegacs.com.au

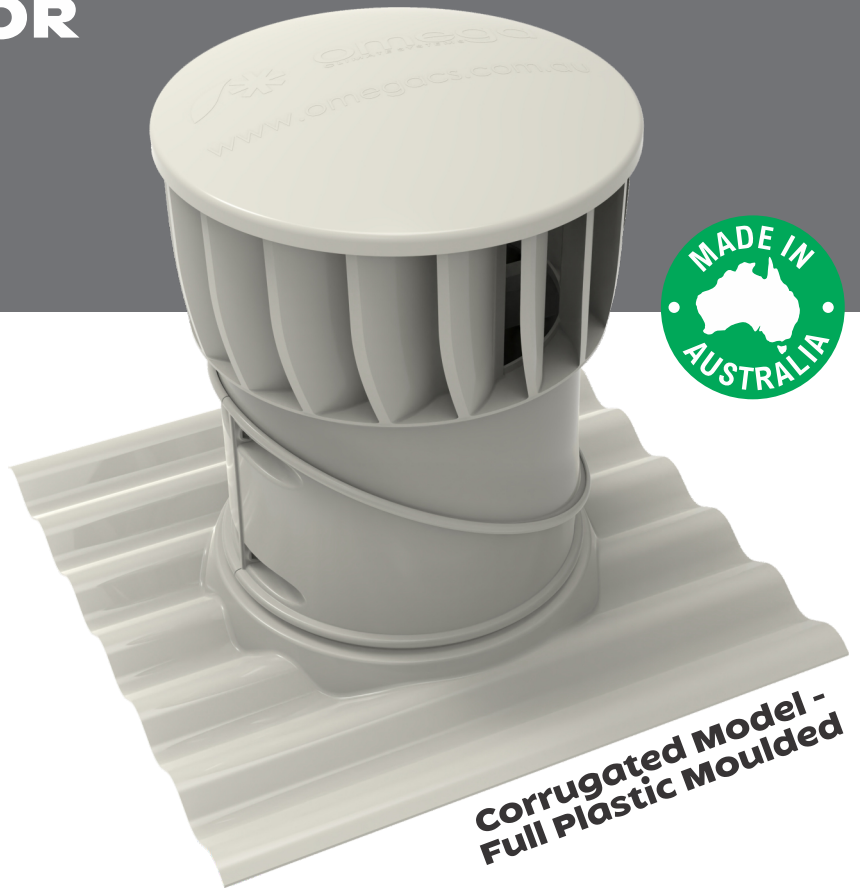


**DURABLE
MATERIALS**

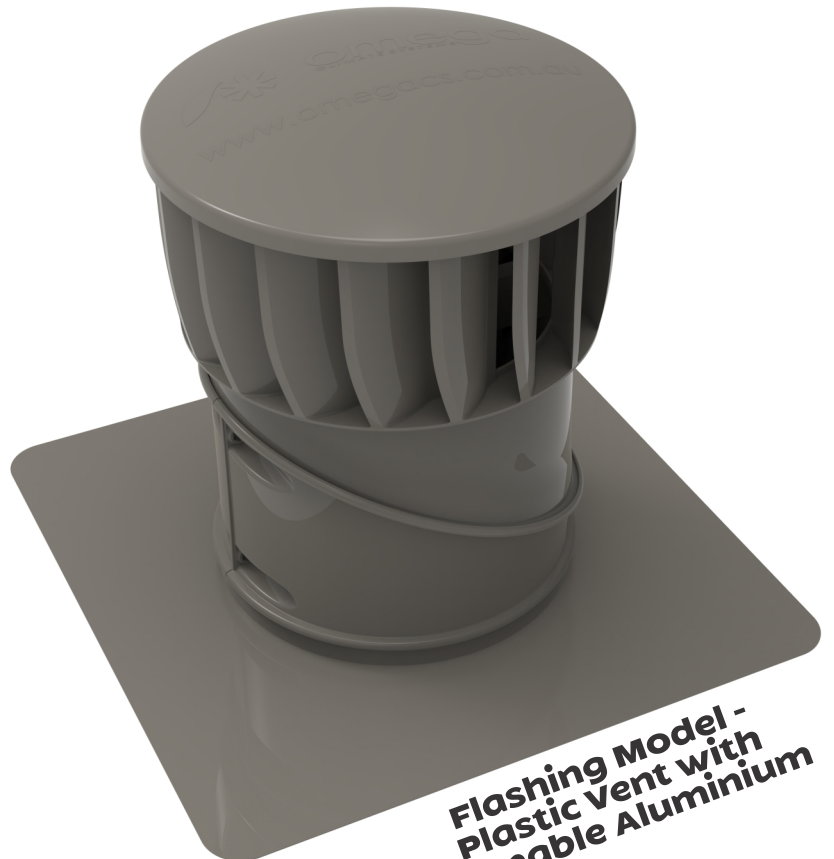
EASY INSTALL

**READY TO FIT
NO ASSEMBLY
REQUIRED**

**AVAILABLE IN
TWO VERSIONS**



**Corrugated Model -
Full Plastic Moulded**



**Flashing Model -
Plastic Vent with
Formable Aluminium**



**WIND POWERED
EFFICIENCY**



**QUIET
OPERATION**



**COST
EFFECTIVE**



**DURABLE
MATERIALS**

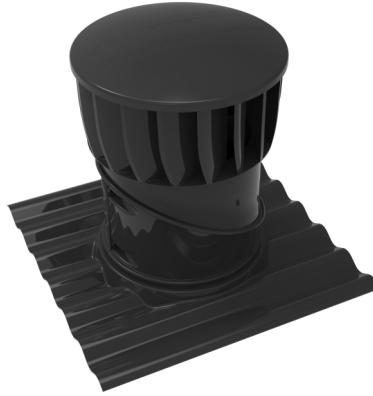
OMEGA WIND TURBINE ROOF VENTILATOR - Ø300mm

FEATURES

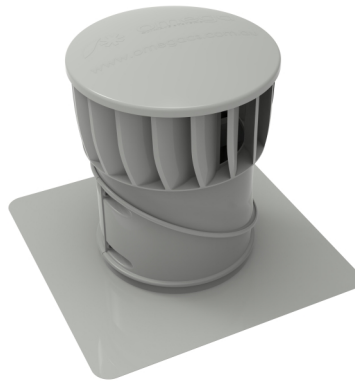
- **Wind-Powered Rotation:** Utilises wind to spin, pulling hot air out of the roof.
- **Durable Construction:** UV stabilised plastic so won't rust or discolour in the elements.
- **Simple Design:** Few moving parts, which means less maintenance and lower risk of breakdown.
- **Ventilation Capacity:** Can handle varying wind speeds, from gentle breezes to strong gusts, ensuring consistent performance.
- **Passive Operation:** Works continuously without manual intervention or energy input, providing ongoing ventilation.

BENEFITS

- **Energy Savings:** By expelling hot air, it reduces the need for air conditioning, leading to lower energy bills.
- **Extended Roof Life:** Helps in reducing moisture and heat build-up, preventing mold, rot, and deterioration of roofing materials.
- **Improved Indoor Comfort:** Keeps the roof cooler, which can make upper floors of a home more comfortable during hot weather.
- **Eco-Friendly:** Operates without electricity, making it an environmentally friendly option.
- **Quiet Operation:** Unlike powered vents, Turbine vents operate silently.
- **Cost-Effective:** Relatively inexpensive to install and maintain compared to electric vents.
- **Year-Round Use:** Effective in all seasons, providing ventilation during both hot and cold weather.



**Corrugated Model -
Full Plastic Moulded**

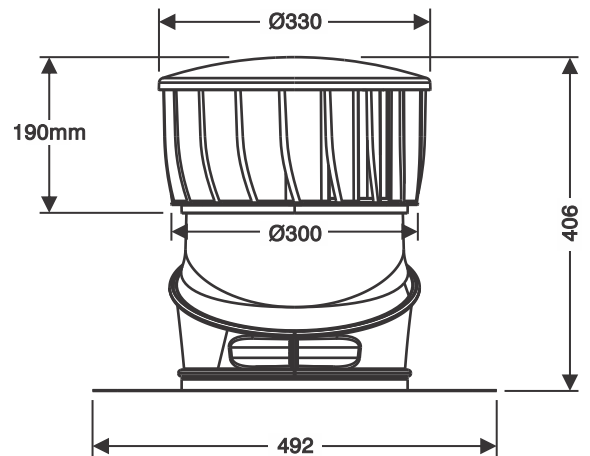
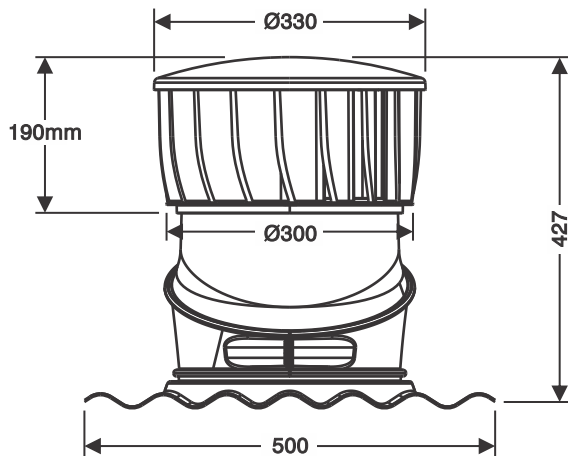


**Flashing Model -
Plastic Vent with
Formable Aluminium**

COLOURS AVAILABLE*

-  MONUMENT
-  GULLY
-  DUNE
-  BASALT
-  SHALE GREY
-  SURFMIST
-  NIGHT SKY
-  WALLABY
-  WOODLAND GREY
-  IRONSTONE
-  PALE EUCALYPT
-  WINDSPRAY
-  DOVER WHITE
-  PAPERBARK
-  MANOR RED
-  JASPER
-  CLASSIC CREAM
-  COTTAGE GREEN
-  DEEP OCEAN

DIMENSIONS



Omega Climate Systems

1 Abbotts Road, Dandenong South VIC 3175

Phone: (03) 9706 6884 Email: carin@omegacs.com.au

www.omegacs.com.au

Note: All images in this brochure are for illustration purposes. Due to our policy of continuous improvement, product specifications & details are subject to change without notice.

* Despite every effort to provide accurate images of each product's colour and design, actual colours and design may vary slightly.